



**PATKOL**  
Public Company Limited

**CYL ICE Machines**



# CYL ICE Machines

## Standard Features

- Rugged design and suitable for tropical climate, simple and reliable operation
- Well designed Stainless Steel cutter for good shape ice and easy to maintain
- Operate with high temperature make up water (water chiller not required)
- Eligible to install in ambient temperature, no need to install in cold room
- Insulated with 3" polyurethane and cladding with Stainless Steel sheet
- Package delivered complete with service platform
- Ammonia refrigerant (freon model available)
- Available with ASME U Stamp Certificate

## Options

- Stainless steel ice bin with auger
- PLC remote control panel
- Special cutter for crushed ice
- Supply with Compressor complete package and high side units



## Model : PK 10A - 50A

## Dimensions

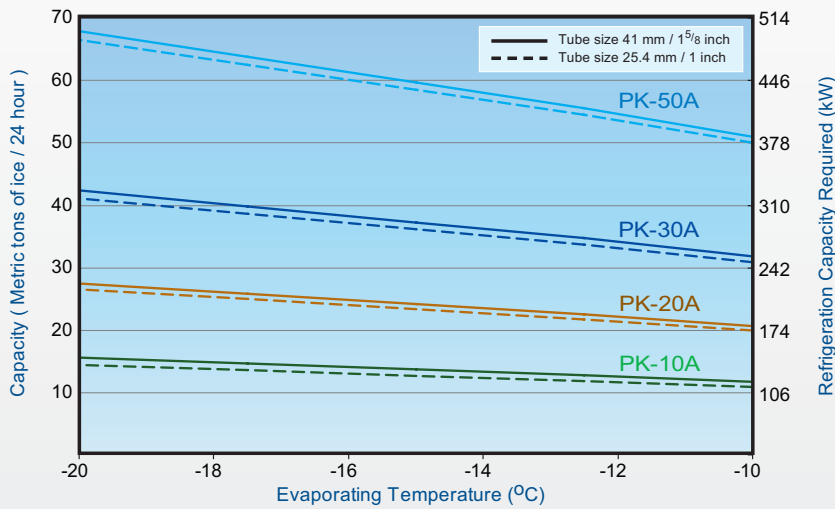
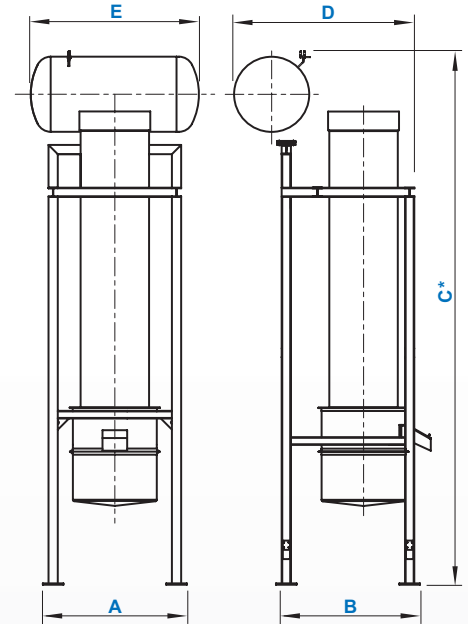
Unit	Millimeter				Inch			
Ice size	16	22	35	38	5/8"	7/8"	1 3/8"	1 1/2"
Tube size	19.05	25.4	38.1	41	3/4"	1	1 1/2"	1 5/8"

Models	A	B	C* (Tube Size)				D	E
			3/4"	1"	1 1/2"	1 5/8"		
PK-10A	5' 10 7/8"	5' 10 7/8"	18' 9 4/8"	18' 9 4/8"	20' 11 7/8"	20' 11 7/8"	5' 9 5/8"	6' 8 6/8"
PK-20A	6' 6 5/8"	6' 6 5/8"	20' 4 1/8"	20' 4 1/8"	22' 1 1/8"	22' 1 1/8"	6' 11 4/8"	6' 11 7/8"
PK-30A	7' 5 1/8"	7' 5 1/8"	20' 8 3/8"	20' 8 3/8"	22' 8"	22' 8"	7' 10 4/8"	7' 5 3/8"
PK-50A	7' 5 1/8"	7' 5 1/8"	23' 5"	23' 5"	25' 4 5/8"	28' 4 1/8"	9' 9 2/8"	9' 3 3/8"

Unit in feet

Models	A	B	C* (Tube Size)				D	E
			19.05 mm	25.4 mm	38.1 mm	41 mm		
PK-10A	1,800	1,800	5,730	5,730	6,400	6,400	1,770	2,050
PK-20A	2,000	2,000	6,110	6,110	6,710	6,710	2,120	2,130
PK-30A	2,150	2,150	6,310	6,310	6,910	6,910	2,400	2,270
PK-50A	2,150	2,150	7,140	7,140	7,740	8,640	2,980	2,830

Unit in millimeter



## Capacity Table

### Make up water correction factors

Make up water temp.	°C	5	10	15	20	25	30	35
	°F	41	50	59	68	77	86	95
Ice multipliers		1.25	1.18	1.13	1.09	1.04	1	0.96

Note : 1) For U.S. ton multiply by 1.1

Remark : Design and specifications subject to change without notice.

## Quality With Service

Authorized Local Distributor :



# PATKOL

Public Company Limited

348 Chalerm Prakit Rama 9 Road, Nongbon,  
Pravate, Bangkok 10250 THAILAND

Tel : (66) 2328 1035 - 49  
Fax : (66) 2328 1245, (66) 2328 1058

Website : [www.patkol.com](http://www.patkol.com)  
e-mail : [icemachine@patkol.com](mailto:icemachine@patkol.com)

